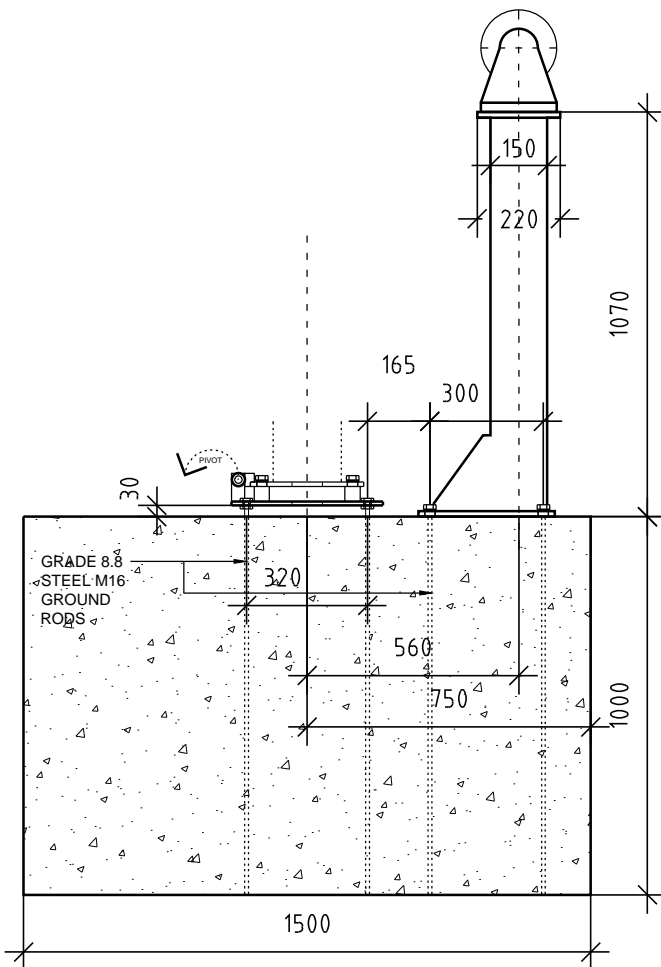


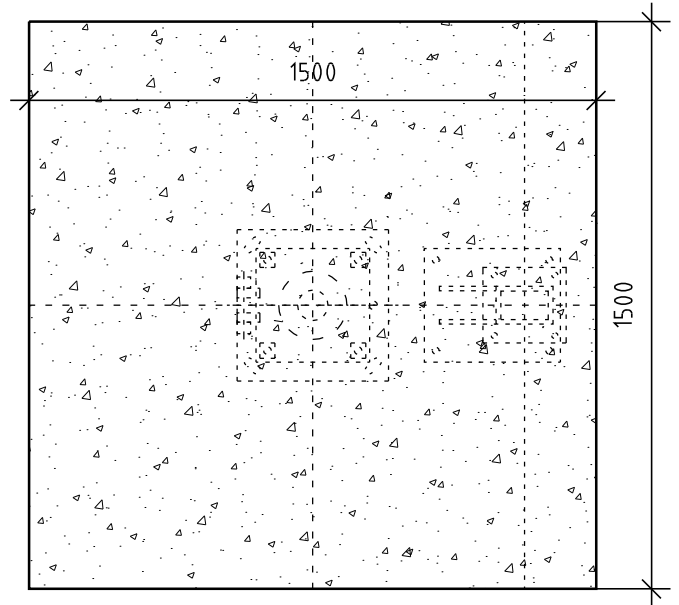


**PAD FOUNDATION D:  
CROSS ARM 180mm MAST - LIGHT HEIGHT 9.1 - 11.0m**

NOTE: THE FOLLOWING PAD FOUNDATION DIMENSIONS ARE RECOMMENDATIONS ONLY. COMPETENT CIVIL ENGINEER TO DETERMINE ACTUAL FOUNDATION DIMENSIONS FOLLOWING SITE INVESTIGATION



**D. FOUNDATION / MAST / WINCH TOWER  
ELEVATION**



**D. FOUNDATION PLAN**