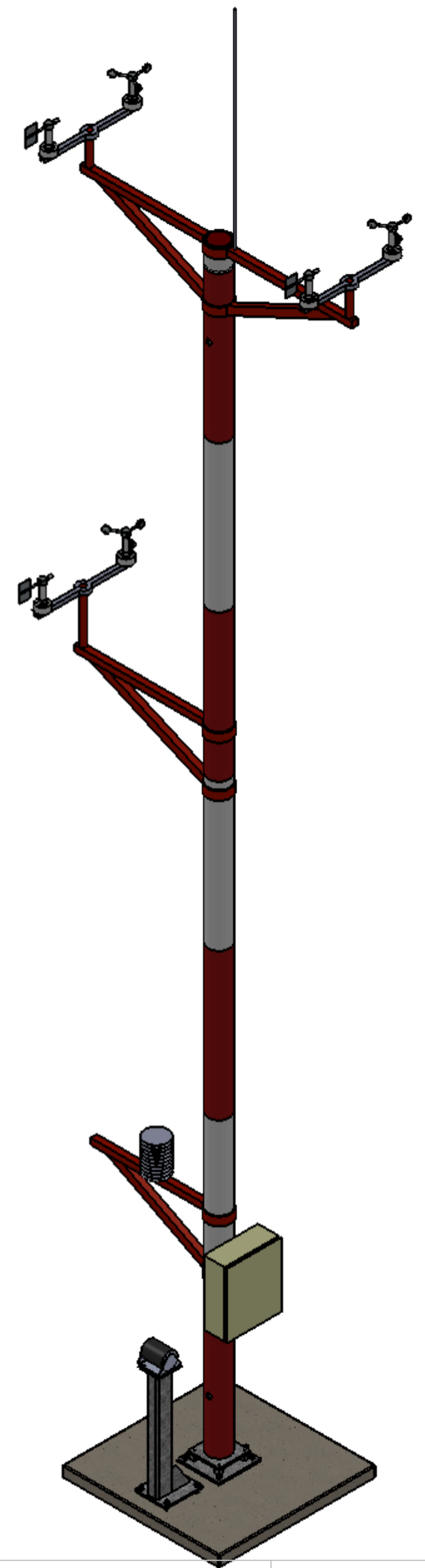
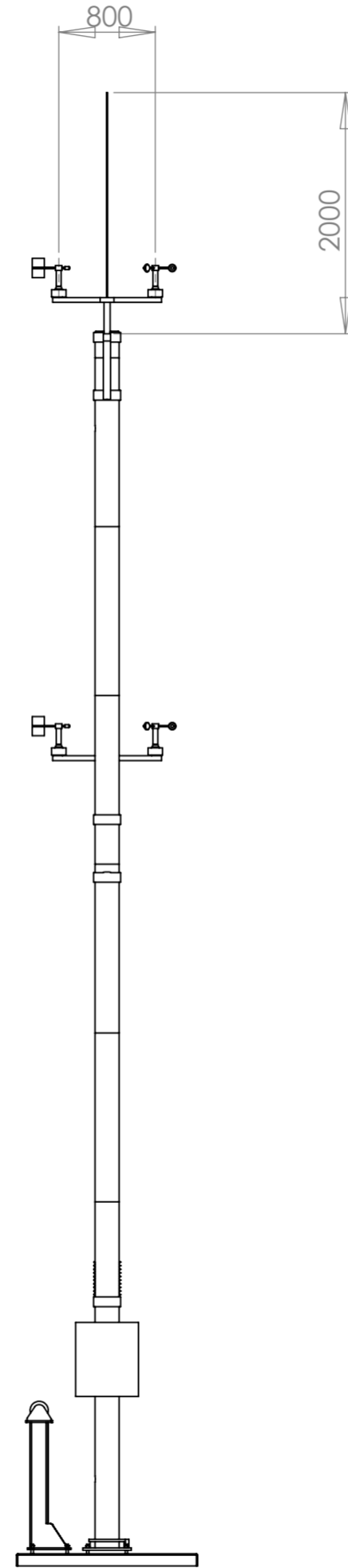
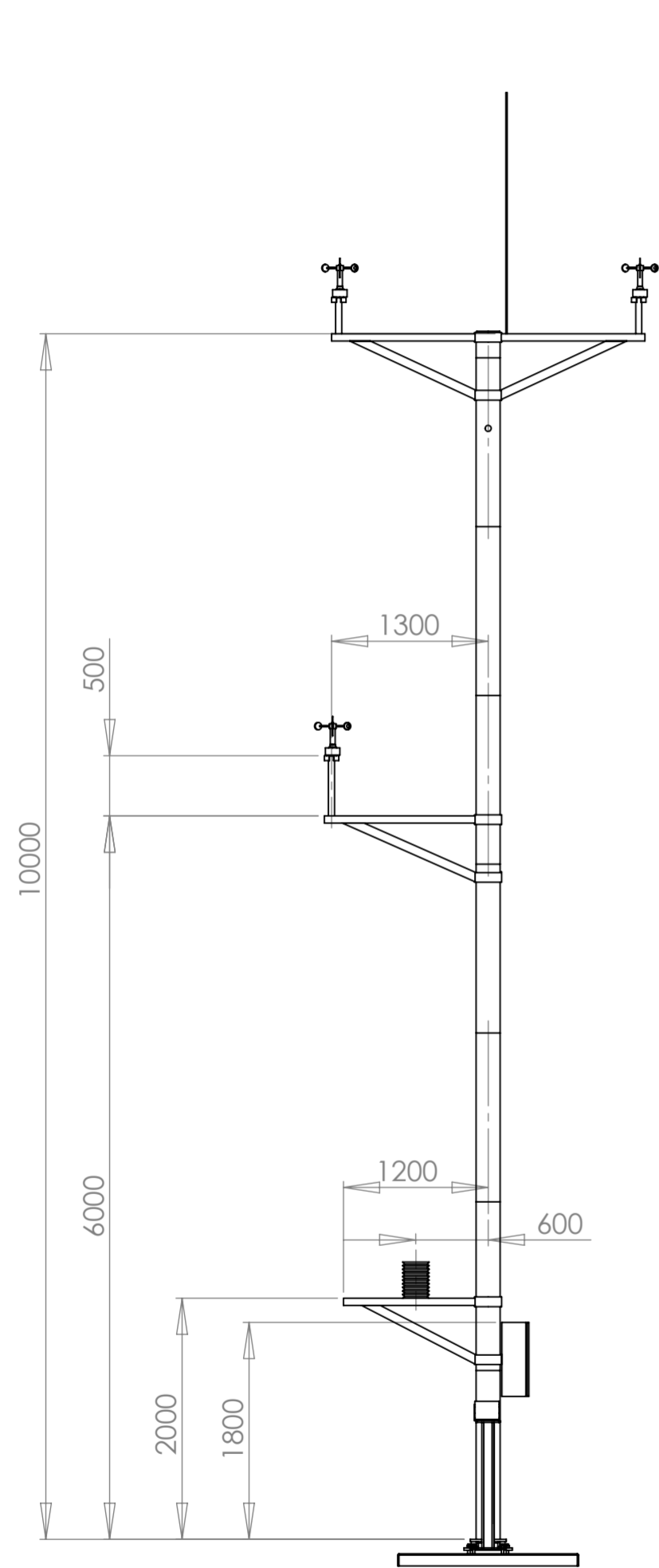


DO NOT SCALE FROM THIS DRAWING - IF IN DOUBT ASK



TOLERANCEING (mm) Unless Otherwise Stated

RANGE	CUT LENGTHS PRESS TOOLED COMPONENTS	FORMED OR TUBULAR COMPONENTS AND WELDED ASSEMBLIES	POSITIONAL DIMENSIONS	DRILLED HOLES
0 - 499	+0 +0.5° -0.5 & -0.5°	+1.0 +0.5° -1.0 & -0.5°	+0.5 -0.5	+0.25 -0
500 - 1500	+0 +0.5° -1.0 & -0.5°	+2.0 +1.0° -2.0 & -1.0°	+1.0 -1.0	+0.25 -0



© Copyright Reserved	
By	Date
Drawn	23/10/2013
Checked	Checked
Revised	Date
Checked	

MATERIAL:
Copyright and design right together with other like rights in the same drawings or articles depicted thereby belong to Pollite, and neither the drawing nor any design depicted there of shall be reproduced without the permission Pollite.
ALL DIMENSIONS IN MILLIMETERS
Third Angle Projection

Description	Drawing No. Anemometer - config 4
Issue No.	1 of 1
Surface Area	SCALE 1:100