

INSTALLATION MANUAL



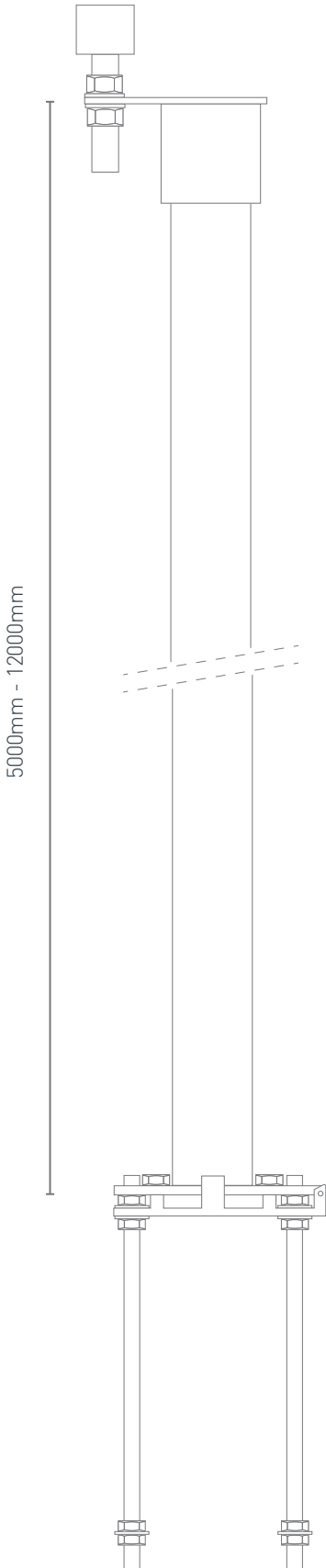
Single Light Approach Mast

5000mm - 12000mm (180mm)

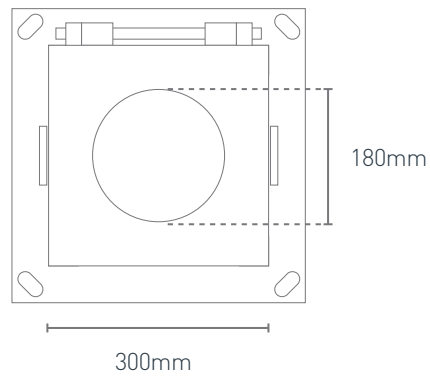
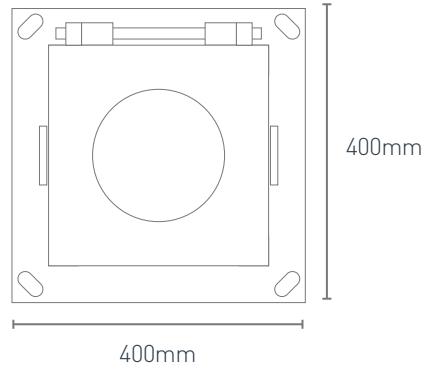
SINGLE LIGHT APPROACH MAST 180MM

Dimensions

Mast Dimensions



Base Plate Dimensions



Specification (mm)

Mast Height	5000 - 12000
Mast Section Diameter \emptyset	180
Base Plate Dimensions	300x300
Base Plate Thickness	12
Ground Plate Dimensions	400x400
Ground Plate Thickness	10
Ground Rod Length*	500 - 1000
Ground Rod Diameter \emptyset	16
Cable Hold Diameter	80

* Ground rod length dependent on foundation size.

SINGLE LIGHT APPROACH MAST 180MM

Parts Checklist

A	1 x Mast	K	4 x Foundation Rods, Nuts & Square Washers
B	1 x Ground Plate	L	4 x Washers
C	1 x Ground Plate Template (Optional)	M	4 x Full Nuts
D	1 x Top Plate	N	1 x Rubber Grommet
E	1 x Light Height Adjuster	O	4 x Bolts M20
F	1 x GRP Plug	P	4 x Large Washers
G	4 x Top Plate Screws	Q	1 x Adjustable Spanner (Not Included)
H	4 x Top Plate Washers	R	1 x Utility Knife (Not Included)
I	4 x Top Plate Spring Washers	S	1 x Allen Key (3mm) (Not Included)
J	1 x Hinge Bolt, Nut & Washer		

A



B



C



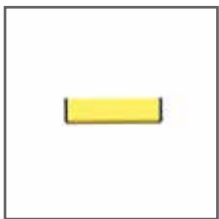
D



E



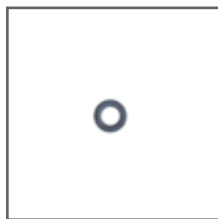
F



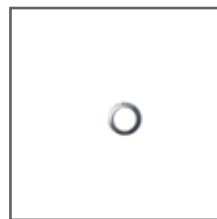
G



H



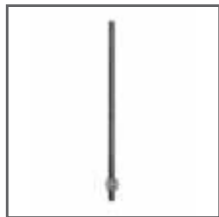
I



J



K



L



M



N



O



P



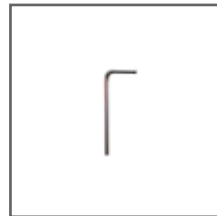
Q



R



S



SINGLE LIGHT APPROACH MAST 180MM

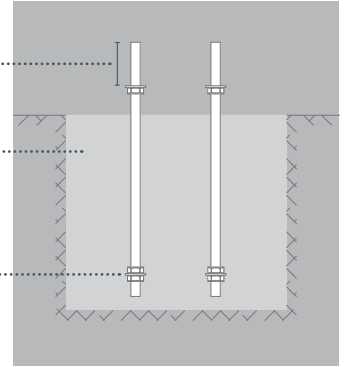
Step 1

- At the base of each foundation rod, fit a nut, square washer and a nut.
- Screw one nut and one washer onto each threaded foundation rod for distance 'A' as shown on the concrete foundation dimension.
- Rest the ground plate (or template, if casting in advance of the masts) onto the washers ensuring the hinge is facing up, secure the plate in position with a retaining nut on each rod.
- Place the foundation bolts in the concrete at the correct depth, ensuring there is a maximum gap of distance 'B' between the concrete and the ground plate, as shown on the diagram. This is to make it possible to adjust the mast vertically later.
(To help maintain a gap, use wooden lats.)

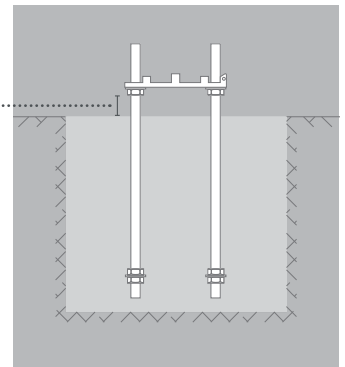
A (60mm)

Concrete Foundation

Nut / Square Washer / Nut



B (30mm)



Step 2

Once set, remove the retaining nuts and template if used. Thread the cable through the central hole of the base plate and rest the ground plate onto the washers. Ensure the hinge is facing in the required direction.



Step 3

Level the ground plate using the nuts on the underside of the plate.



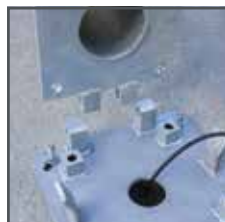
Step 4

Once level screw one washer and one nut onto all four ground rods to secure the ground plate. Torque the nuts to 180Nm.



Step 5

Mate the two half hinges of the mast base plate and the ground plate together, ensuring the holes are aligned.



SINGLE LIGHT APPROACH MAST 180MM

Step 6

Once the holes are aligned, slide through the hinge bolt, use a large hammer if required. Secure the hinge bolt with the washer and nut provided. Torque the nut to between 150-200Nm.



Step 7

Once the base plate has been correctly secured to the ground plate, rest the mast horizontally and feed the cables up through the mast to the pre-drilled hole at the top.



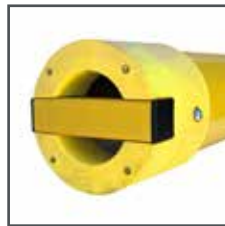
Step 8

To prevent ingress of water into the mast, slice the rubber grommet and thread it onto the cable. Secure the grommet into the wall of the mast.



Step 9

Insert the GRP plug into the slot located on the top cap.



Step 10

Place the top plate onto the top of the mast and secure in place with the four bolts, spring washers and flat washers, the spring washer sits between the flat washer and underside of the bolt.



Step 11

Fit the light height adjuster onto the top cap with one half nut and one lock washer, secure in place with the second half nut and lock washer at the required height.

(Ensure nuts are tightened correctly to ensure the lock washers are mated.)



Step 12

Fit the appropriate light onto the light height adjuster and connect the cables as required.

(See the light manufacturers installation guide.)



SINGLE LIGHT APPROACH MAST 180MM

Step 13

Hinge the mast up vertically until it meets the ground plate resting blocks.
(Use lifting assistance if required - for masts over 6m use winch assembly.)



Step 14

Secure the mast base plate to the ground plate using the bolts and large washers. Torque the large M20 bolts to between 200-250Nm.

