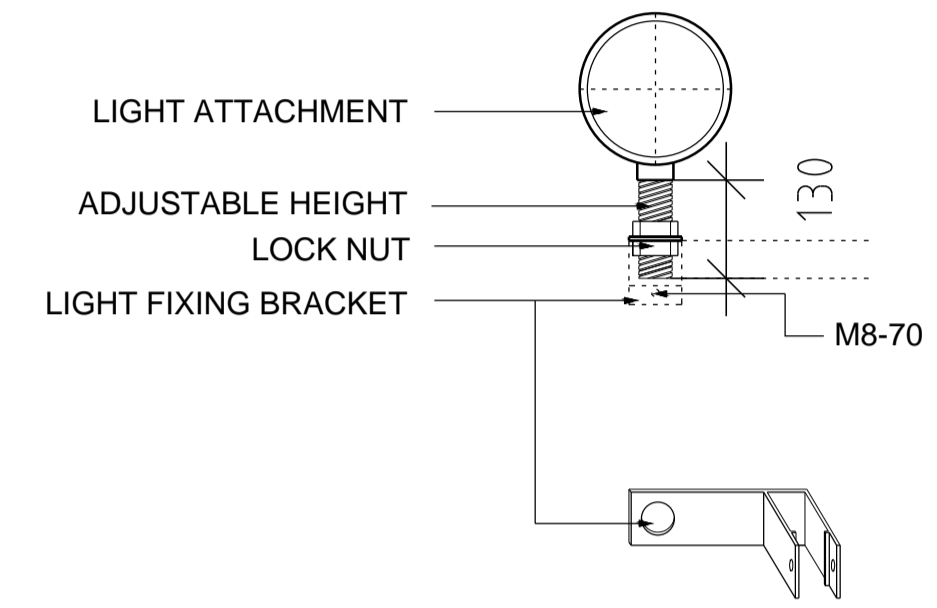
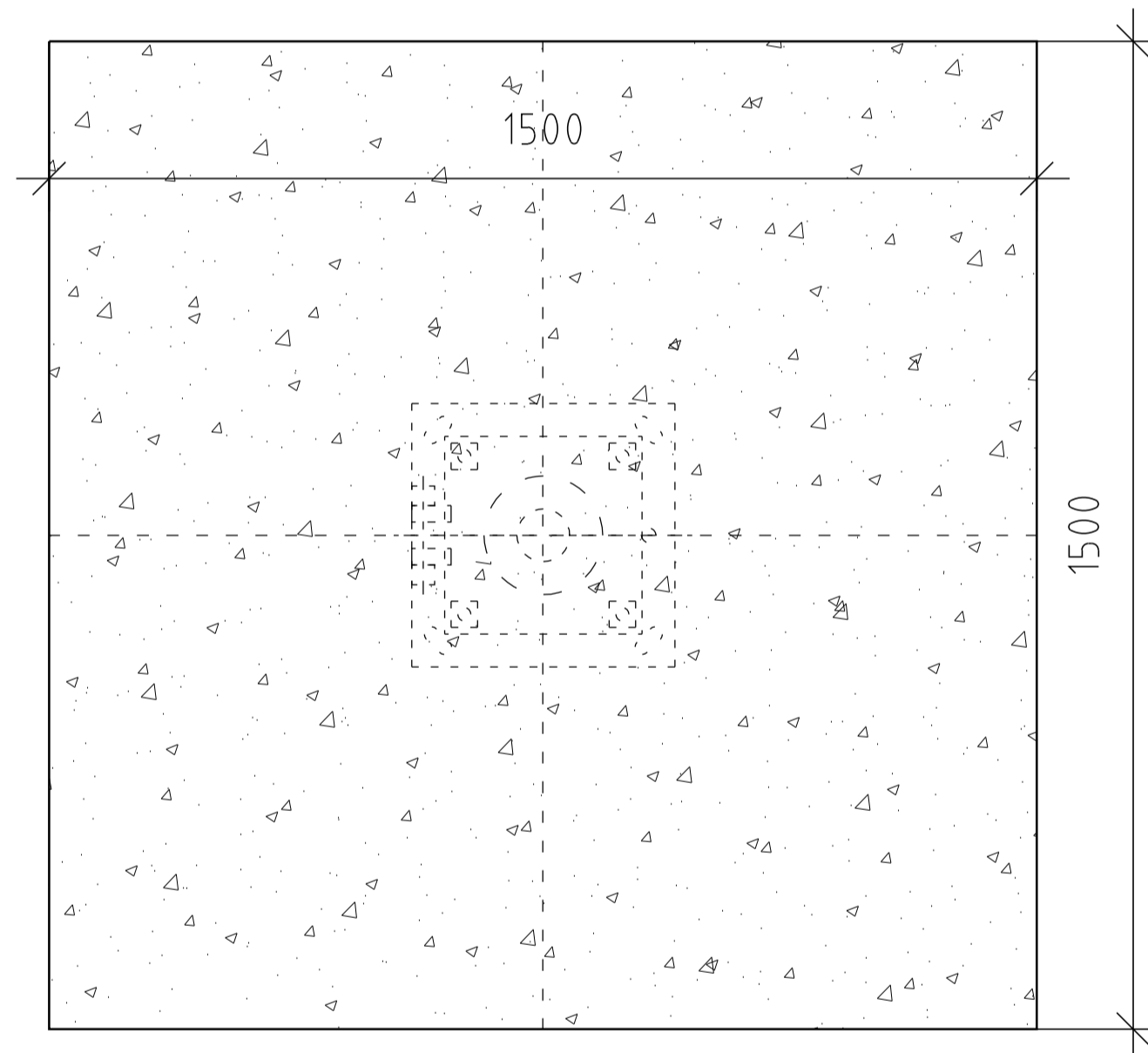


FOUNDATION / MAST ELEVATION
NOTE: PROPOSED FOUNDATION DEPTHS DEPEND ON MAST HEIGHT - SEE FOUNDATION DETAILS



DETAIL OF LIGHT FIXING BRACKET



FOUNDATION PLAN



CROSS ARM 180mm MAST - 2 LIGHTS @ 2700MM CENTRES - HEIGHT 2.0 - 5.9m

DETAILS OF STANDARD LIGHT HEIGHT ADJUSTER & DIFFERENT TOP CAP OPTIONS TO SUIT SFL UNITS ARE AVAILABLE SEPARATELY

NOTE: THE FOLLOWING PAD FOUNDATION DIMENSIONS ARE RECOMMENDATIONS ONLY. COMPETENT CIVIL ENGINEER TO DETERMINE ACTUAL FOUNDATION DIMENSIONS FOLLOWING SITE INVESTIGATION