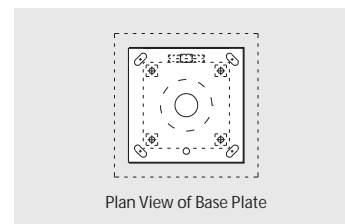
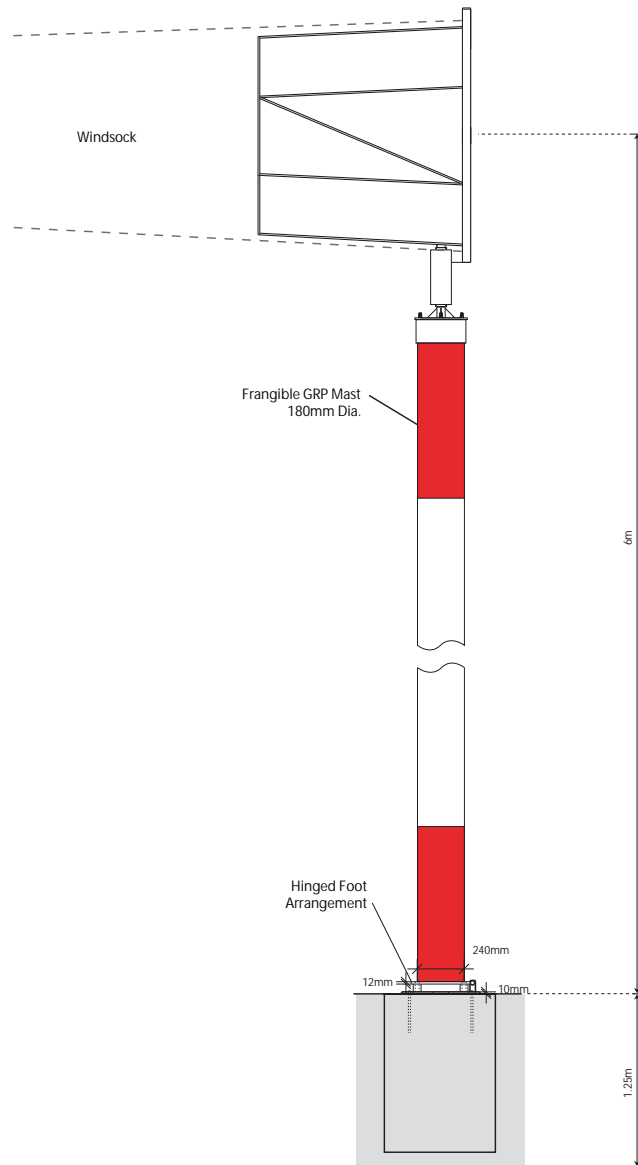
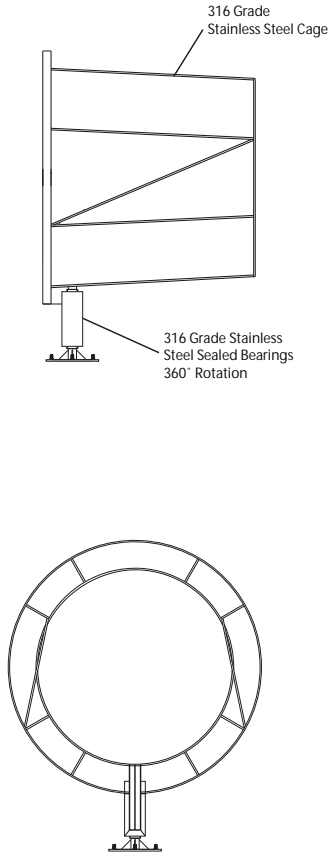


WINDSOCK MAST (UNLIT)

TECHNICAL DRAWING



STANDARD UNLIT WINDSOCK MAST

Pollite Frangible Windsock Masts	Millimetres
Pole Diameter (at Base)	180
Wall Thickness	4
Base Plate Measurements	400x400
Base Plate Thickness	10
Base Plate Hole Centres	320x320
Ground Rod Length (Total)	500
Foundation Detail (Guide Only)	650x650x1250
Height of Windsock above Ground	6000
Windsock Throat Opening	900mm
Windsock Length	3600mm - 3750mm

Technical drawing is for illustration purposes only